



- Large 890 mm reflector
- Stainless steel head assembly
- Tilt switch fitted (automatically shuts burner off if heater is tipped over)



- 100% safety control
- Flame turndown adjustment
- Integral piezo ignition



- Framed LPG bottle cage
- Pole socket assembly mounted on robust framework support



- Weighted base
- Sturdy wheel kit for manoeuvrability
- Powder coated finish
- Stainless steel version available



**12 month
warranty for
domestic use**



PARASOLTM
HEATERS AUSTRALIA LTD



Manufactured in Australia by Parasol Heaters Australia Pty Ltd MELBOURNE • SYDNEY • BRISBANE

ABN 74 094 443 295



There are four basic models of the OzGlow heater to provide as much flexibility in patio design as possible.

For an uncovered patio, Model F40 permanent is often the best choice. If the configuration of the patio activity varies, Model SP40 offers the convenience and economy of a natural gas heater, but the flexibility of a portable heater. The suspended Model HE40 will heat the patio while leaving the floor free of obstruction. For a completely portable self-contained appliance, Model P40 propane heater can be set up outside almost anywhere.

Installation

For installation instructions please refer to the installation booklet for each heater.

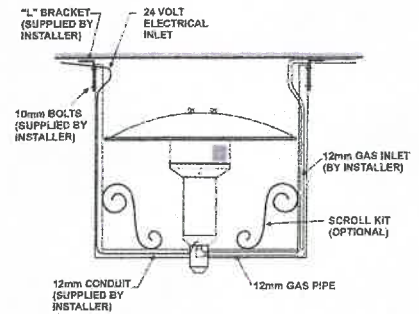
Effective Coverage

The warmth from a single Ozglow patio heater will cover up to a 4 to 5 metre circle.



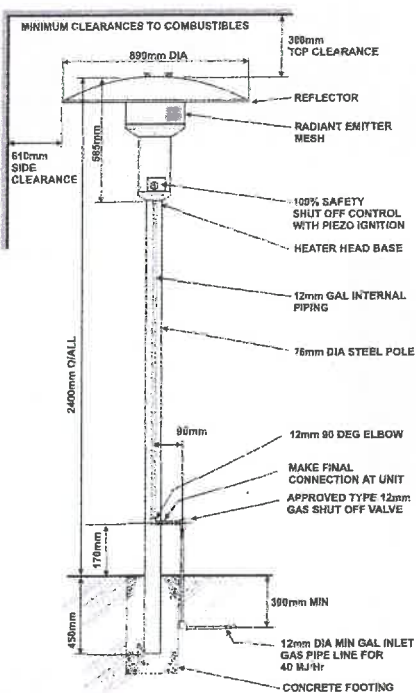
Model HE40 Hanging Heater

- 40 mj/hr input rating
- 100% safety control
- 24 volt control
- Corrosion resistant construction
- A.G.A. approval No. 6130
- Attractive hanging frame



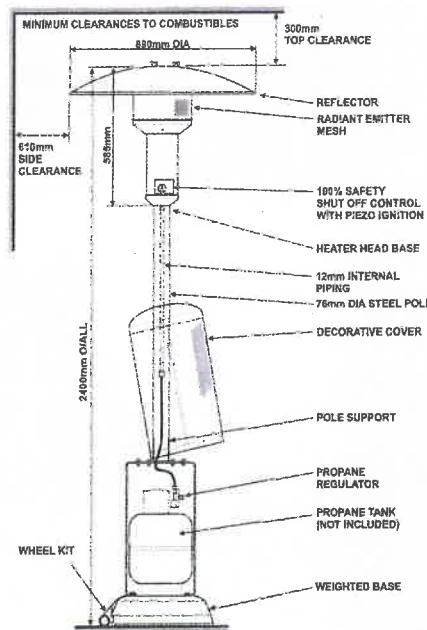
Model F40 Permanent Installation

- 40 mj/hr input rating
- 100% safety control
- Constant pilot (Piezo ignition)
- Corrosion resistant construction
- A.G.A. approval No. 6130



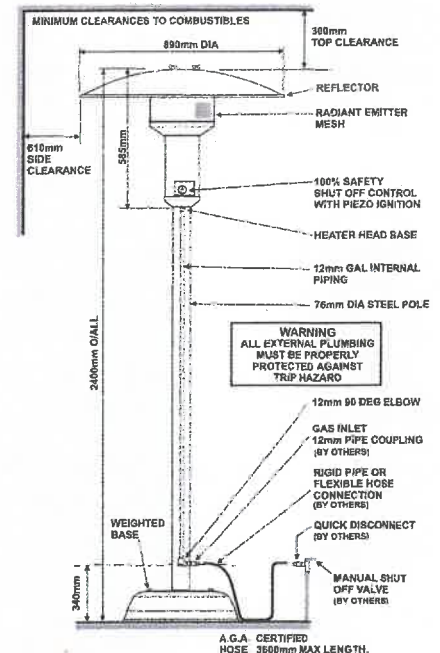
Model P40 Portable Heater

- 40 mj/hr input rating
- 100% safety control
- Constant pilot (Piezo ignition)
- No electrical connections
- Propane only
- Corrosion resistant construction
- A.G.A. approval No. 6130



Model SP40 Free-standing Heater

- 40 mj/hr input rating
- 100% safety control
- Constant pilot (Piezo ignition)
- Corrosion resistant construction
- No electrical connections
- A.G.A. approval No. 6130



Parasol Heaters Australia Pty Ltd
 Head Office
 12 Yiannis Court, Springvale Victoria 3171
 Phone 61 3 9562 4844 Fax 61 3 9546 6069
 Website www.parasolheaters.com.au

DISTRIBUTED BY